

Carry Speed-line type «ZYE»



Cylindrical nut with end cap ball return



Legend

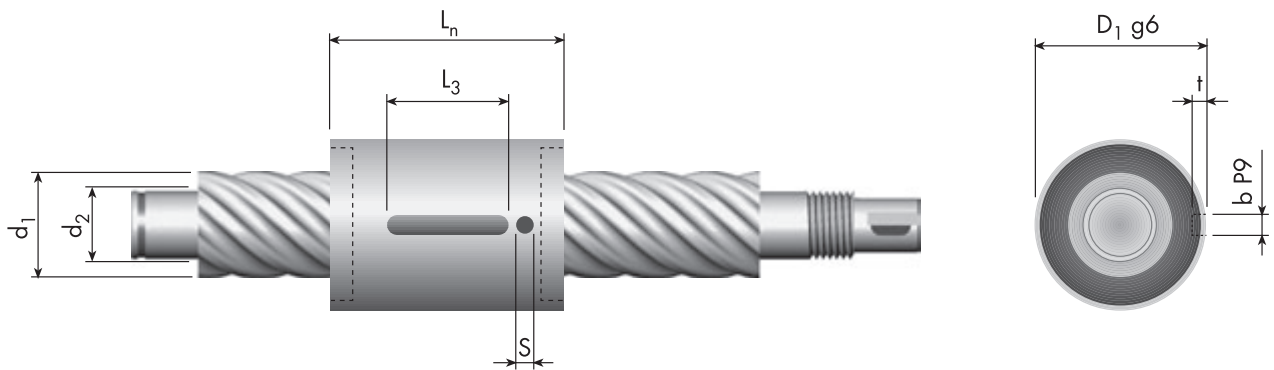
- d_0 = nominal screw diameter [mm]
- d_1 = outside screw diameter [mm]
- d_2 = core diameter [mm]
- p = pitch [mm]
- i = number of ball circulations [-]
- D_w = ball diameter [mm]
- S = lubrication hole [mm]
- SA = wipers
 - K = plastic
- T = standard backlash

Warning! Note when selecting a ball screw that the maximum rotational speed depends on the system's rotational speed characteristics. See page 29 for the appropriate calculations.

Special designs available on request.
All specifications are subject to change without notice.

Quality management ISO 9001:2008

Carry Speed-line type «ZYE»



Carry S-line type «ZYE» d ₀ x p mm	Dimensions												Load rates	
	Screw		Nut	L _n	L ₃	i	D _w	b P9	t	S	SA	T	C _{dyn}	C _{stat}
d ₁	d ₂	D ₁ g6	N											
right-hand threads														
8 x 12	8.0	6.7	18	28	8	2x1.5	1.50	2	1.2	ø 2	K	0.05	1 400	2 300
12.7 x 25.4	12.5	10.6	26	32	10	3x0.9	2.00	3	1.8	ø 4	K	0.05	2 300	4 500
16 x 10	16.0	13.4	28	42	16	2x2.9	3.00	4	2.5	ø 4	K	0.07	12 500	26 000
16 x 16	15.5	13.2	28	42	16	2x1.9	3.00	4	2.5	ø 3	K	0.07	7 800	15 500
16 x 50	16.0	13.2	28	55	16	3x0.9	3.00	4	2.5	ø 4	K	0.06	4 800	11 000
20 x 20	20.0	17.3	36	50	20	4x1.9	3.00	4	2.5	ø 4	K	0.06	17 900	44 600
25 x 25	24.5	21.2	40	60	20	4x1.9	3.50	4	2.5	ø 4	K	0.06	23 300	68 000

The CAD data corresponding to the types shown above are available at www.gewinde.ch