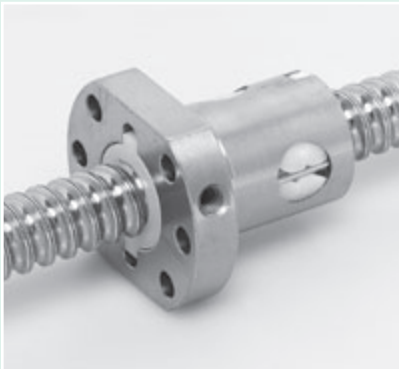


Carry type «FBI»



Flange type B nut following DIN 69051 with single-thread ball return



Legend

d_0 = nominal screw diameter [mm]

d_1 = outside screw diameter [mm]

d_2 = core diameter [mm]

p = pitch [mm]

i = number of ball circulations [-]

D_w = ball diameter [mm]

S = lubrication hole [mm]

SA = wipers



K = plastic



B = brushes

T = standard backlash [mm]

³⁾ = only on request

⁴⁾ = special master gauge for holes; only 4 instead of 6 holes
(for $d_0 \times p = 4 \times 1, 6 \times 1, 8 \times 1, 8 \times 2, 10 \times 4$ and 12×5)

Warning! Note when selecting a ball screw that the maximum rotational speed depends on the system's rotational speed characteristics.

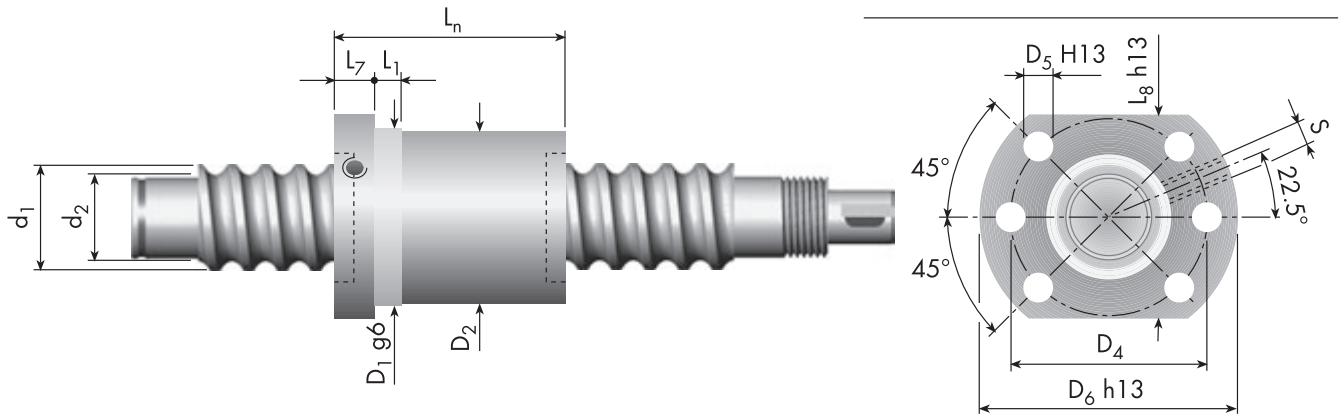
See page 29 for the appropriate calculations.

Special designs available on request.

All specifications are subject to change without notice.

Quality management ISO 9001:2008

Carry type «FBI»



Carry type «FBI» $d_0 \times p$ mm	Dimensions													Load rates					
	Screw		Nut		D_2	D_4	D_5	D_6	L_n	L_1	L_7	L_8	i	D_w	S	SA	T	C_{dyn}	C_{stat}
	d_1	d_2	D_1 g6 mm	D_2	D_4 hole circle	D_5 H13	D_6 h13												N
right-hand threads																			
4 x 1 ⁴⁾	4.0	3.2	8	7.9	12	2.7	17	14	2	3	11	3x1	0.80	—	—	0.03		430	580
6 x 1 ⁴⁾	6.0	5.0	12	11.8	18	3.4	24	18	4	4	16	3x1	0.80	ø 2	K	0.03		600	1000
8 x 1 ⁴⁾	8.0	7.0	14	13.5	21	3.4	27	18	4	4	18	3x1	0.80	ø 2	K	0.03		700	1200
8 x 2 ⁴⁾	8.0	6.5	16	15.5	22	3.4	28	30	4	6	19	3x1	1.59	ø 4	K	0.05		1400	2000
10 x 4 ⁴⁾	10.0	7.5	18	17.8	28	4.5	36	38	6	6	23	4x1	2.50	—	—	0.07		4100	6700
10 x 4 ⁴⁾	10.0	7.5	18	17.8	28	4.5	36	38	6	6	23	4x1	2.50	ø 2	K	0.07		4100	6700
12 x 5 ⁴⁾	12.0	9.5	24	23.5	32	4.5	40	40	6	8	26	3x1	2.78	ø 4	K	0.07		5000	8600
16 x 5	15.7	13.0	28	27.8	38	5.5	48	45	6	10	40	3x1	3.50	M6	K	0.07		9700	22000
20 x 5	19.2	16.5	36	35.5	47	6.6	58	50	10	10	44	3x1	3.50	M6	K	0.07		10800	25000
25 x 5	24.6	21.5	40	39.5	51	6.6	62	50	10	10	48	3x1	3.50	M6	K	0.07		11700	30000
25 x 5	24.6	21.5	40	39.5	51	6.6	62	55	10	10	48	4x1	3.50	M6	K	0.07		14000	35000
32 x 5	31.6	28.5	50	49.5	65	9.0	80	57	10	12	62	4x1	3.50	M6	K	0.07		19000	54000
left-hand threads																			
16 x 5	15.7	13.0	28	27.8	38	5.5	48	45	6	10	40	3x1	3.50	M6	K	0.07		9700	22000
20 x 5	19.2	16.5	36	35.5	47	6.6	58	50	10	10	44	3x1	3.50	M6	K	0.07		10800	25000

The CAD data corresponding to the types shown above are available at www.gewinde.ch