

Carry type «ZYI»



Cylindrical single nut with single-thread ball return



Legend

d_0 = nominal screw diameter [mm]

d_1 = outside screw diameter [mm]

d_2 = core diameter [mm]

p = pitch [mm]

i = number of ball circulations [-]

D_w = ball diameter [mm]

S = lubrication hole (position not defined) [mm]

SA = wipers



K = plastic



B = brushes

T = standard backlash [mm]

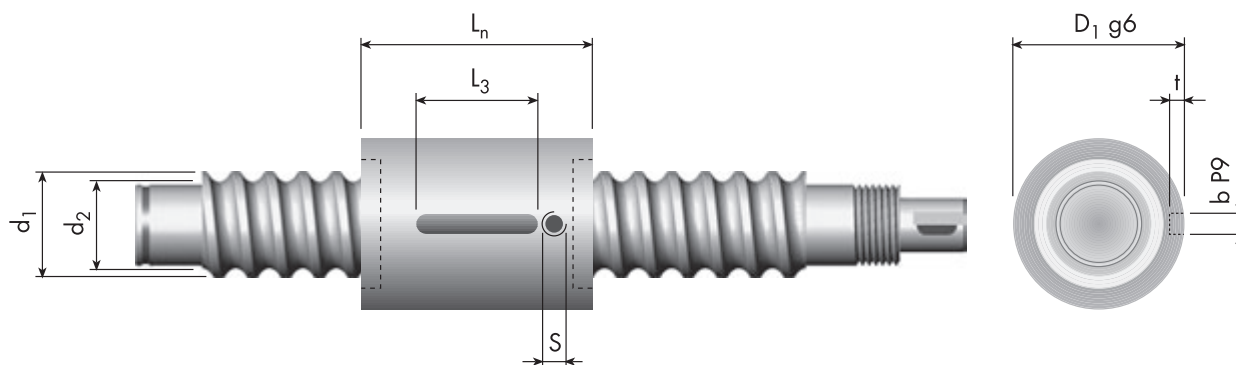
³⁾ = only on request

Warning! Note when selecting a ball screw that the maximum rotational speed depends on the system's rotational speed characteristics. See page 29 for the appropriate calculations.

Special designs available on request.
All specifications are subject to change without notice.

Quality management ISO 9001:2008

Carry type «ZYI»



Carry type «ZYI» d ₀ x p	Dimensions												Load rates		
	Screw		Nut		L _n	L ₃	i	D _w	b P9	t	S	SA	T	C _{dyn}	C _{stat}
mm	d ₁ mm	d ₂ mm	D ₁ g6 mm	D ₁											
right-hand threads															
4 x 1	4.0	3.2	8	10	—	3x1	0.80	ø2	1.0	—	—	0.03	430	580	
5 x 2	5.0	4.0	10	14	8	3x1	0.80	2	1.0	—	—	0.03	500	800	
6 x 1	6.0	5.0	12	14	8	3x1	0.80	2	1.0	—	—	0.03	600	1000	
8 x 1	8.0	7.0	14	14	8	3x1	0.80	2	1.2	—	—	0.03	700	1200	
8 x 1.5	8.0	6.7	14	14	8	3x1	1.20	2	1.2	—	—	0.04	800	1300	
8 x 2	8.0	6.5	16	20	8	3x1	1.59	2	1.2	—	—	0.05	1400	2000	
8 x 3	8.0	6.7	14	12	8	2x1	1.50	2	1.2	—	—	0.05	950	1500	
10 x 2	9.7	8.2	18	14	10	2x1	1.59	3	1.2	—	—	0.06	1250	2100	
10 x 4	10.0	7.5	18	35	10	4x1	2.50	3	1.2	—	—	0.07	4100	6700	
10 x 4	10.0	7.5	18	35	10	4x1	2.50	3	1.2	ø2	K	0.07	4100	6700	
12 x 2	12.0	10.6	20	15	10	2x1	1.59	3	1.2	—	—	0.06	1380	2500	
14 x 4	14.0	11.5	25	24	10	3x1	2.78	4	2.5	—	—	0.07	5000	8800	
14 x 4	14.0	11.5	25	32	10	3x1	2.78	4	2.5	ø4	K	0.07	5000	8800	
16 x 5	15.7	13.0	30	43	16	3x1	3.50	4	2.5	M5	K	0.07	9700	22000	
20 x 5	19.2	16.5	33	45	20	3x1	3.50	4	2.5	M5	K	0.07	10800	25000	
25 x 5	24.6	21.5	38	50	20	3x1	3.50	4	2.5	M5	K	0.07	11700	30000	
32 x 5	31.6	28.5	48	48	20	4x1	3.50	5	3.0	M5	K	0.07	19000	54000	
left-hand threads															
10 x 2	9.7	8.2	18	14	10	2x1	1.59	3	1.2	—	—	0.06	1250	2100	
12 x 2 ³⁾	12.0	10.6	20	15	10	2x1	1.59	3	1.2	—	—	0.06	1380	2500	
16 x 5	15.7	13.0	30	43	16	3x1	3.50	4	2.5	M5	K	0.07	9700	22000	
20 x 5	19.2	16.5	33	45	20	3x1	3.50	4	2.5	M5	K	0.07	10800	25000	

The CAD data corresponding to the types shown above are available at www.gewinde.ch